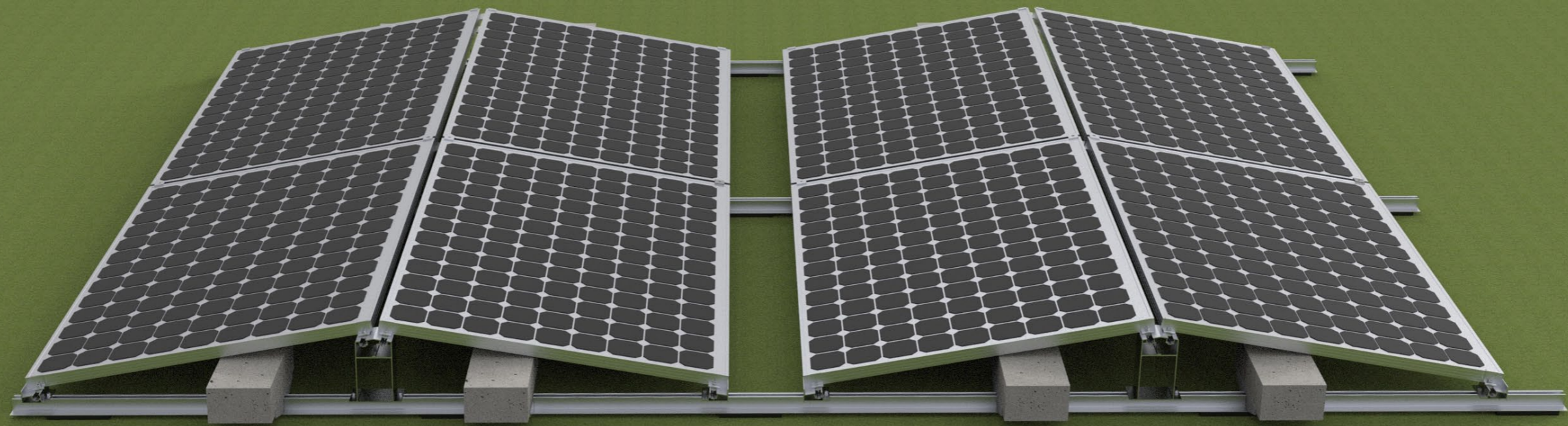


Ballasted-Pro East-West Integrated Rear Leg



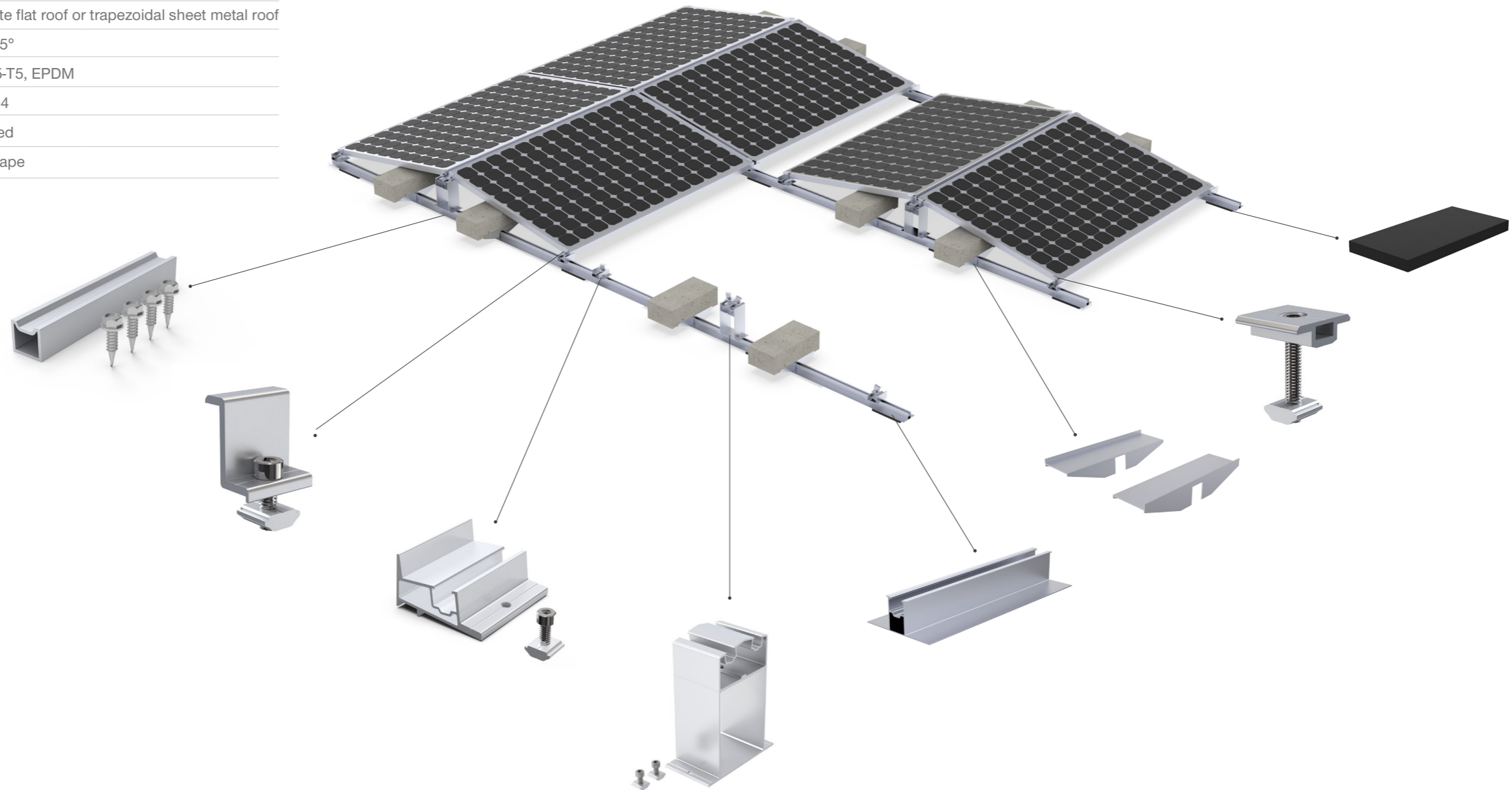
Ballasted Mounting System

Ballasted - Pro East-West integrated rear leg is suitable for the east - west installation of Ballasted - Pro Systems, enriching the product line of Ballasted - Pro Systems.

Ballasted - Pro East-West integrated rear leg simplifies the installation process and significantly reduces the number of installation steps and operations. This makes the installation more convenient and efficient, effectively reducing the overall project cost and making the entire system more integrated. There are two angle options: 10 degrees and 15 degrees. These two angle options are compatible with ERK - BPF - 10 and ERK - BPF - 15.

Technical features:

Product name	Ballasted - Pro East-West integrated rear leg
Application	Concrete flat roof or trapezoidal sheet metal roof
Tilt	10° or 15°
System material	AL6005-T5, EPDM
Fastener material	SUS 304
Finish	Anodized
Module orientation	Landscape



Component List



ERK-BPF-10 ERK-BPF-15



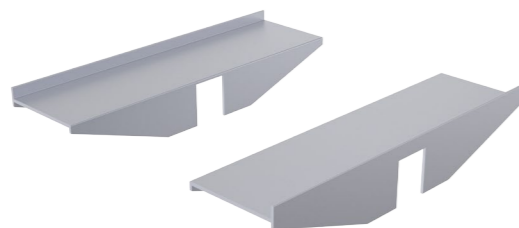
ERK-BIP-10 ERK-BIP-15



ERK-AIC



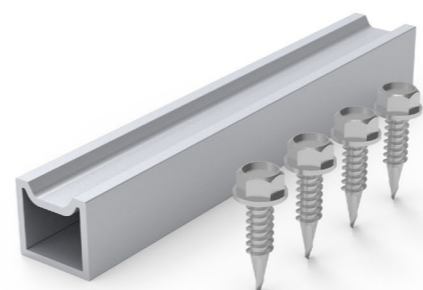
ERK-FEC



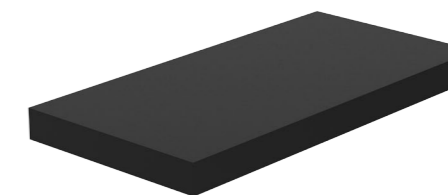
ERK-BST-02



ERK-R41-02

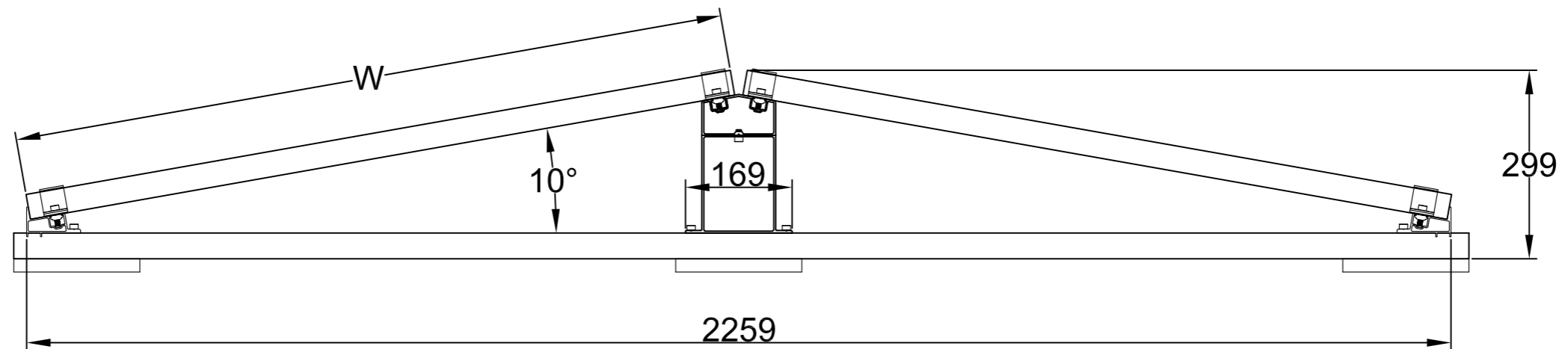


ERK-SFR-04

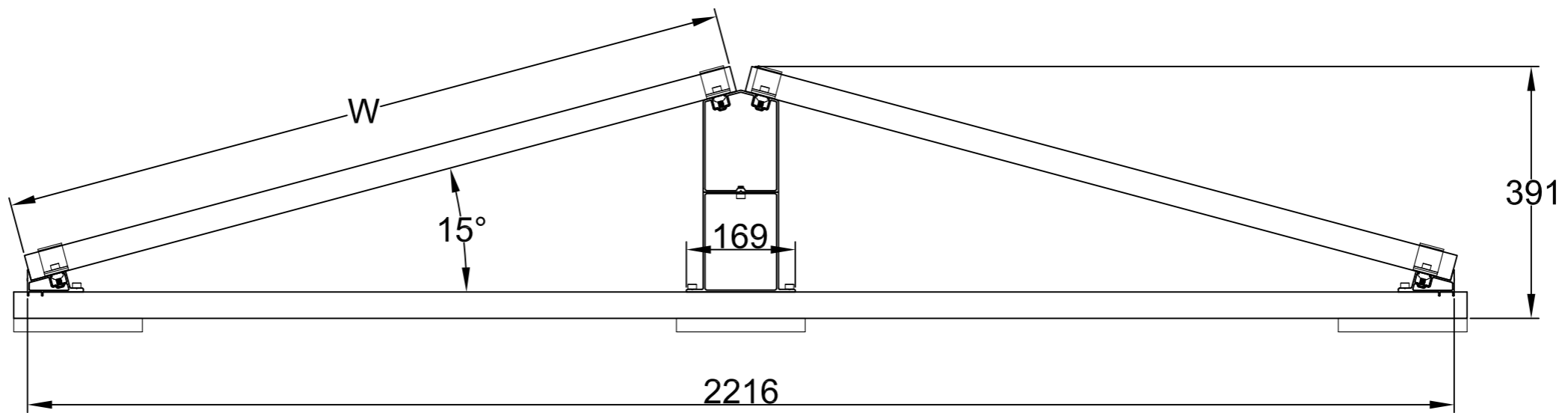


ERK-EFT-03

Dimensions and Angles



Angles 10°



Angles 15°

Contact Details

Xiamen Enerack Technology Co., Ltd.

Tel: +86 -592-5669285

Mail: info@enerack.com

Fax: +865-92-5669235

web: www.enerack.com

Add: 203A, NO.6 Huli Avenue, Huli District, Xiamen, China

